

Solar Panel Energy  
Tel 083 544 2484 / 084 442 4235  
sales@solarpanelenergy.co.za  
www.solarpanelenergy.co.za

# aquaSol



## AquaSol 100

**+ 0/+5 WP POSITIVE TOLERANCE**

**💧 WATER PUMP USE**

**✓ HIGH QUALITY**

25 year linear performance warranty  
10 year product warranty

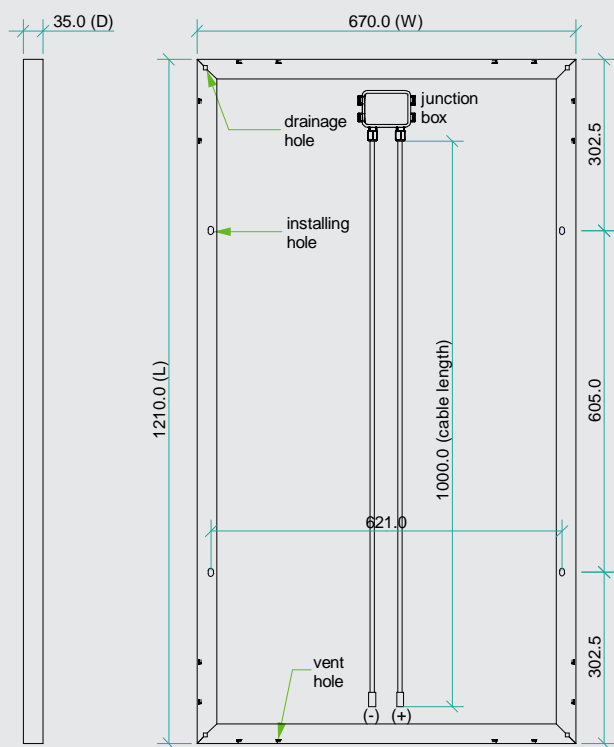


# aquaSol

The high voltage solar panels  
designed for solar pumping

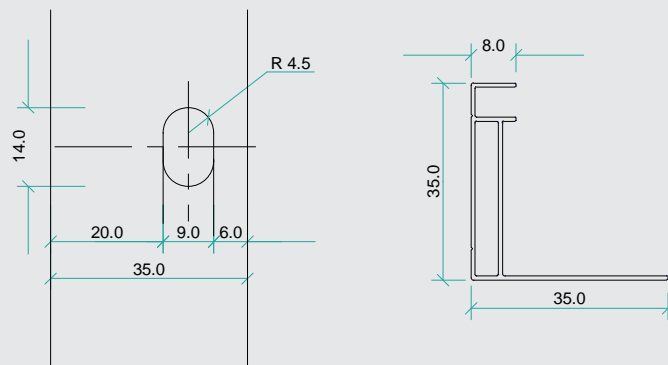


# AquaSol 100



## General characteristics

Cell	polycrystalline solar cell 156 x 63 mm
No. of Cells (Connections)	72 (4 x 18)
Panel Dimensions	1210 x 670 x 35 mm
Weight	11 kg
Connectors and Cables	Connectors and 1m cables



## Thermal conditions

Normal Operating Cell Temperature 800W/m <sup>2</sup> irradiance, 20°C, AM = 1.5	48°C ± 2°C
Power temperature coefficient	- 0.5%/K
Current temperature coefficient	0.035%/K
Voltage temperature coefficient	- 0.37 MV/K

## Limits

Operating temperature	-40°C to + 85°C
Maximum system voltage	1000V DC

## Electric performance at STC \*

Maximum Power	100 W
Power tolerance	0/+5 W <sub>p</sub>
Maximum power voltage	36 V
Maximum power current	2.78 A
Open circuit voltage	44.4 V
Short circuit current	3.45 A

\*Standard Test Conditions : 1000W/m<sup>2</sup> irradiance, 25°C and AM = 1.5

## High performance

**25** 25 Years  
linear performance

**10** 10 Years  
product warranty

